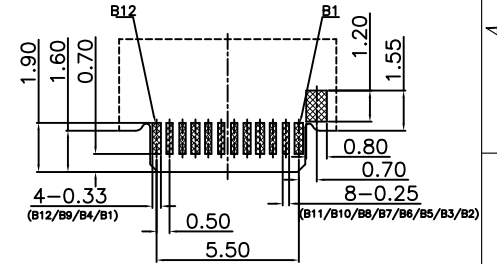
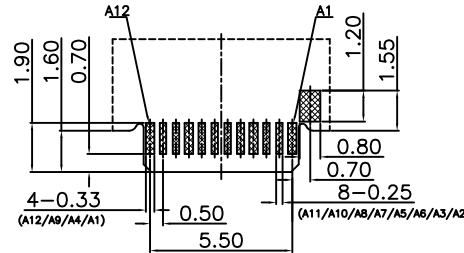
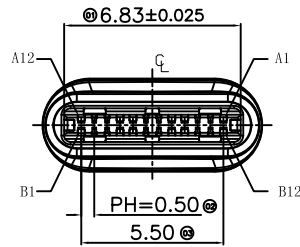


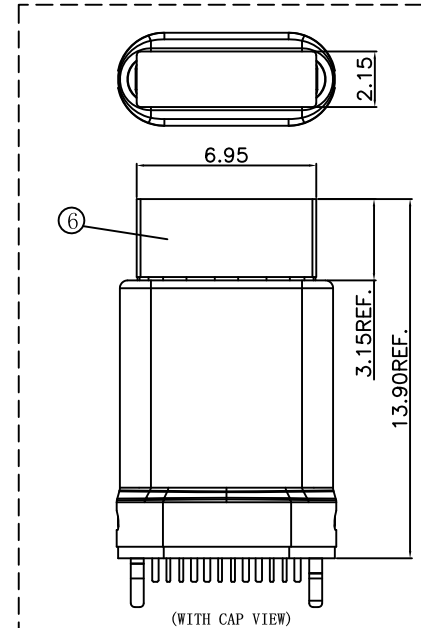
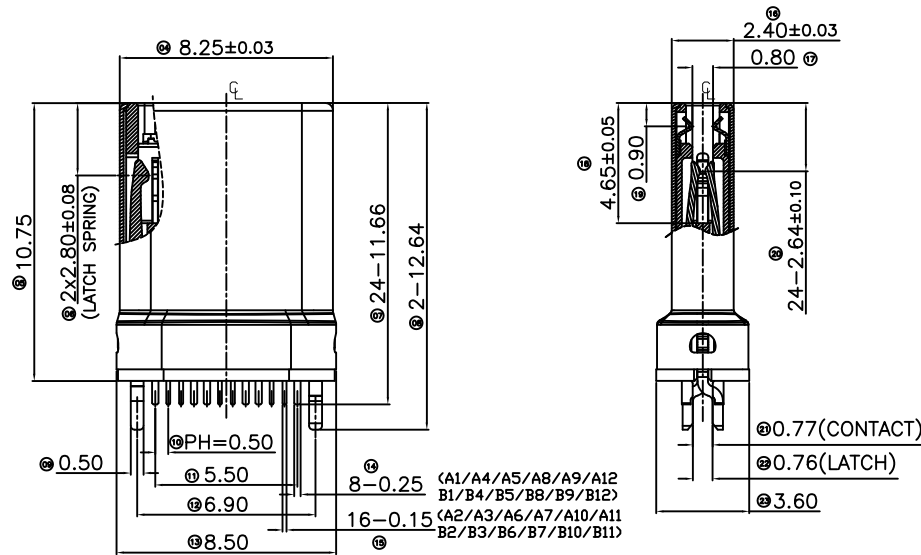
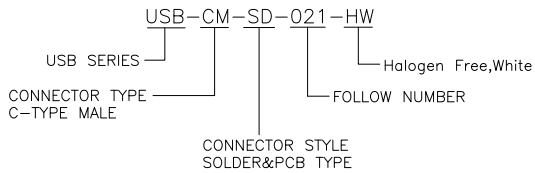
NOTE:

- Electrical Characteristics:
 - Current Rating: 5A For Pin(A4,A9,B4,B9)
 - 1.25A For Others Pin
 - Insulation Resistance: 100MΩ Min.
 - Contact Resistance: 40 mΩ Max.
 - Dielectric Withstanding Voltage:100V/AC 1Minute
- Mechanical Characteristics:
 - Insertion Force: 5~20N
 - Extraction Force: Initial: 8~20N
 - After durability: 6~20N
 - Durability :10000 Cycles
- Salt Spray :24H
- Operating Temperature: -30°C TO +85°C



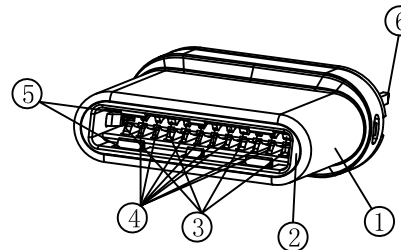
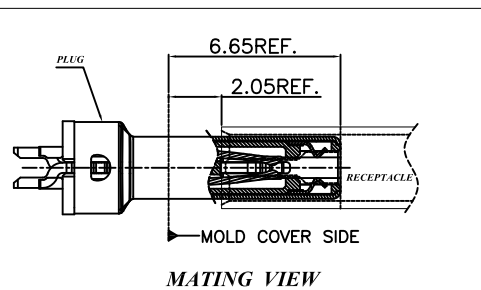
Recommended PCB Layout
General Tolerance ±0.05

Ordering Information



PIN ASSIGNMENT

PIN NUMBER	SIGNAL NAME	PIN NUMBER	SIGNAL NAME
A1	GND	B12	GND
A2	TX1+	B11	RX1+
A3	TX1-	B10	RX1-
A4	VBUS	B9	VBUS
A5	CC1	B8	SBU2
A6	D+	B7	D-
A7	D-	B6	D+
A8	SBU1	B5	CC2
A9	VBUS	B4	VBUS
A10	RX2-	B3	TX2-
A11	RX2+	B2	TX2+
A12	GND	B1	GND



ITEM	NAME	QTY.	MATERIAL	DESCRIPTION
⑥	Cap	1	LCP	Color: White
⑤	Latch	1	SUS301	Sn Plated on Solder Area, Ni Underplating Over All
④	Contact Signal	16	Copper Alloy	Au Plated on Contact Area, Au Plated on Solder Area, Ni Underplating Over All
③	Contact Power	8	Copper Alloy	Au Plated on Solder Area, Ni Underplating Over All
②	Housing	1	LCP	Color: White
①	Shell	1	SUS316L	Ni Plated 50~180u"
UNIT	mm	XX Inspection Item	Boldconn 东莞高端精密电子股份有限公司	
SCALE	1:1	■ Cp/Cpk and SPC Control Item	GOLDCONN PRECISION ELECTRONICS CO.,LTD	
SHEET	1/1	TOLERANCE UNLESS OTHERWISE SPECIFIED	圖號	USB-CM-SD-021-HW
DRAWIN	QJC	.X ±0.25 X* ±1.5*	名稱	USB TYPE-C PLUG
REV.	NEW ISSUE	.XX ±0.15 .X* ±1.0*	TITLE	24PIN CLIP PCB
MODIFICATION	日期	.XXX ±0.10 .XX* ±0.5*	角法	客户图
DATE	18.09.13	核准	PROJ.	
DRAW	QJC	審核		
APPROVE	Lion Yu	CHECKED		