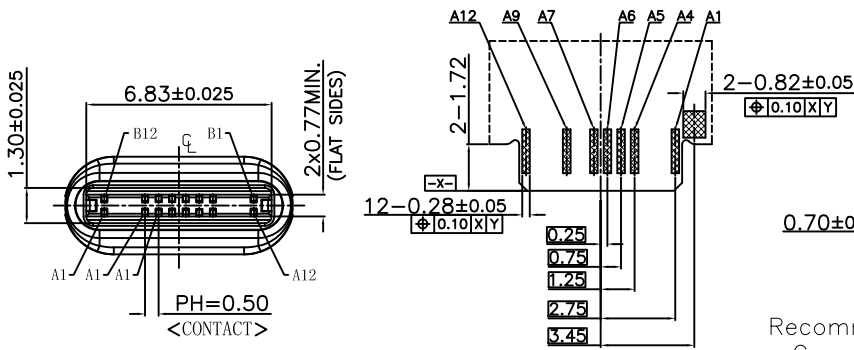


RoHS & HF Compliant

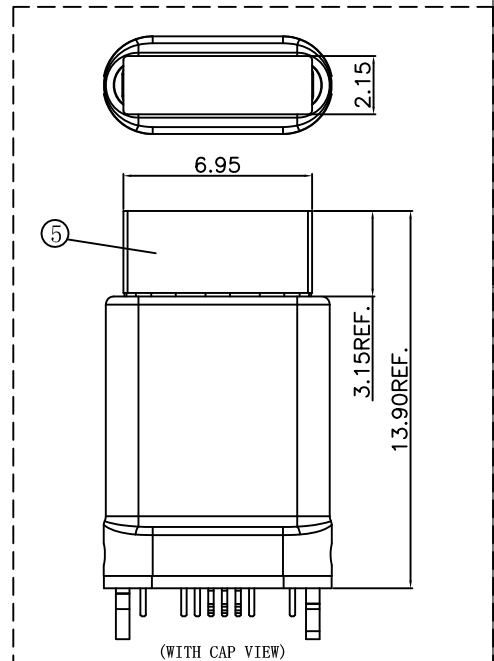
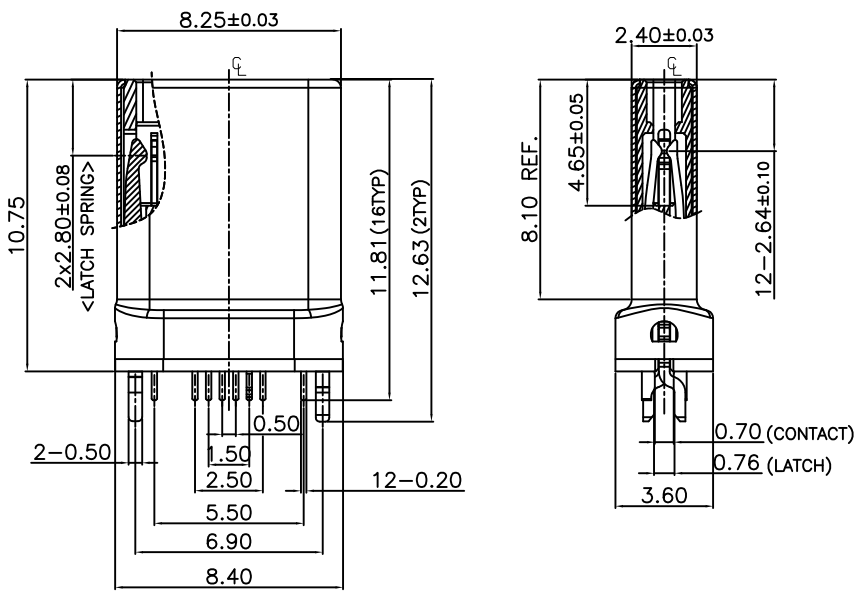
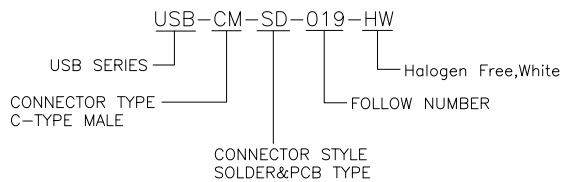
NOTE:

- Electrical Characteristics:
Current Rating: 5A For Pin(A4,A9,B4,B9)
1.25A For Others Pin
Insulation Resistance: 100MΩ Min.
Contact Resistance: 40 mΩ Max.
Dielectric Withstanding Voltage:100V/AC 1Minute
- Mechanical Characteristics:
Insertion Force: 5~20N
Extraction Force: Initial: 8~20N
After durability: 6~20N
Durability :10000 Cycles
- Salt Spray :24H
- Operating Temperature: -30°C TO +85°C

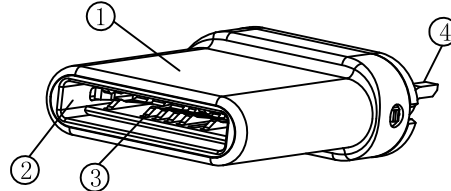
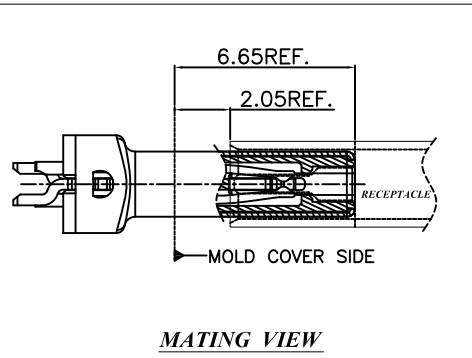


Recommended PCB Layout
General Tolerance ±0.05

Ordering Information



PIN ASSIGNMENT			
PIN NUMBER	SIGNAL NAME	PIN NUMBER	SIGNAL NAME
A1	GND	B12	GND
A2		B11	
A3		B10	
A4	VBUS	B9	VBUS
A5	CC	B8	
A6	D+	B7	
A7	D-	B6	
A8		B5	VCONN
A9	VBUS	B4	VBUS
A10		B3	
A11		B2	
A12	GND	B1	GND



ITEM	NAME	QTY.	MATERIAL	DESCRIPTION
⑤	Cap	1	LCP	Color: White
④	Latch	1	SUS301	Sn Plated on Solder Area, Ni Underplating Over All
③	Contact	12	Copper Alloy	Au Plated on Contact Area, Au Plated on Solder Area, Ni Underplating Over All
②	Housing	1	LCP	Color: White
①	Shell	1	SUS316L	Ni Plated 50~180u"
ITEM NAME QTY. MATERIAL DESCRIPTION				
單位	mm	XX	Inspection Item	Goldconn 东莞高端精密电子股份有限公司 GOLDCONN PRECISION ELECTRONICS CO.,LTD
比例	1:1		Control Item	
張數	1/1		TOLERANCE UNLESS OTHERWISE SPECIFIED	圖號
製圖	QJC		.X ±0.25 X.* ±1.5°	DWG NO.
版本			.XX ±0.15 X.* ±1.0°	名稱
REV.			.XXX ±0.10 .XX* ±0.5°	TITLE
				角法
				客戶圖