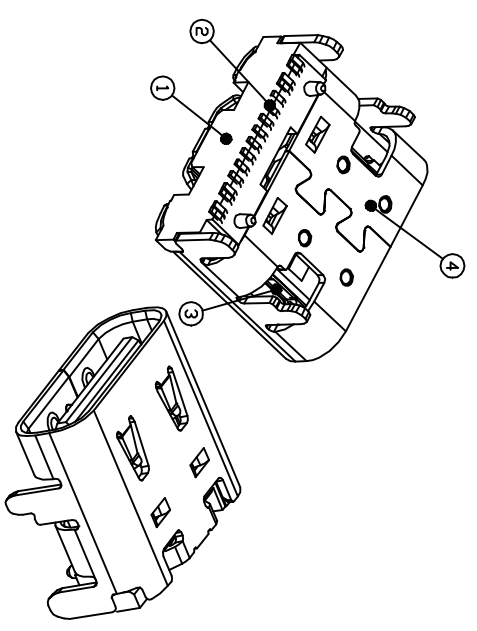
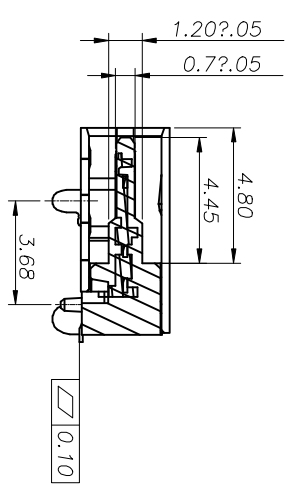
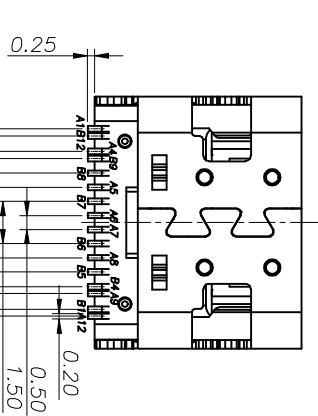
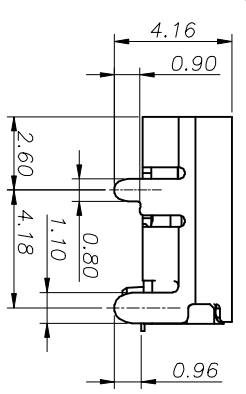
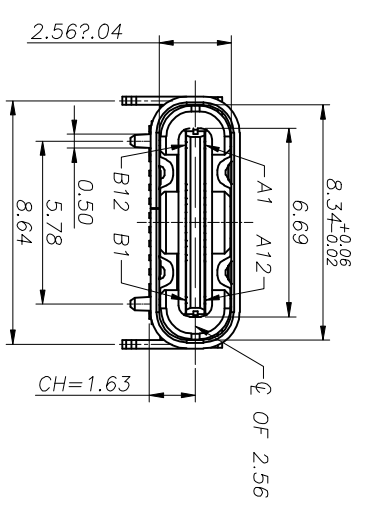
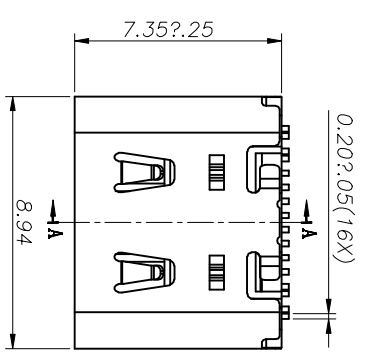


REV.	E/CN NO.	DESCRIPTION	DATE	DESIGN
B	---	UPDATE THE DRAWING	2019.11.19	SYJ
C	---	UPDATE THE DRAWING	2020.01.13	SYJ



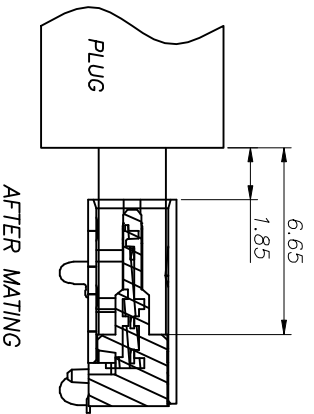
NOTE:

- 1.MATERIAL SPECIFICATION:
 1.HOUSING:HIGH TEMPERATURE RESISTANT PLASTIC,UL94 V-0.
 2.CONTACTS:COPPER ALLOY
 3.MID PLATE: STAINLESS STEEL
 4.FRONT SHELL: STAINLESS STEEL
- 2.PLATING SPECIFICATION:
 2-1.CONTACTS:
 Ni: 50u" Min UNDER PLATED OVER ALL.
 Au PLATED ON THE FUNCTIONAL AREA OF CONTACT.
 (GOLD PLATING THICKNESS FOLLOW THE P/N)
 PLATING SPECIFICATIONS OF THE SOLDER AREA FOLLOW THE P/N
- 2-2.FRONT SHELL:
 Ni: 30u" MIN. UNDER PLATED OVER ALL.
- 2-3.SHIELD PLATE&EMI PLATE:
 CLEAR ONLY
- 3.MECHANICAL PERFORMANCE,
 3-1.INSERTION FORCE: 0.5~2.0kgf.
 3-2.REMOVAL FORCE: 0.8kgf~2.0kgf.
 3-3.DURABILITY: 10000 CYCLES.
- 4.ELECTRICAL PERFORMANCE,
 4-1. CURRENT RATING:5.0A
 VOLTAGE RATING:5.0V
- 4-2. LCR: VBUS & GND PINS AND OTHER PINS: 40mΩ/PIN MAX.
 SHIELD: 50mΩ/MAX.
 LCR MAX. CHANGE OF ALL PINS: 10mΩ.
- 4-3.INSULATION RESISTANCE: 100MΩ MIN
 4-4.DIELECTRIC WITHSTAND VOLTAGE:AC 100V FOR 1 MINUTE.
5. ENVIRONMENTAL PERFORMANCE:
 OPERATING TEMPERATURE: -25#~+85#
 6.IR REFLOW:
 THE PEAK TEMPERATURE ON THE BOARD SHALL BE MAINTAINED FOR 10 SECONDS AT 260°C.



TOLERANCE		NAME(INTENDED USE) CUSTOMER DRAWING		DRAWG NO.	
X.X	±0.30 X.	±10'	PART NO. SEE TABLE1	Goldconn Goldconn Technologies Co., Ltd	
.XX	±0.20 .X	± 8'			
.XXX	±0.10 .XX	± 5'	DESIGN: SYJ	TITLE: USB CF 16PIN (L=7.35) WITH POST	
UNITS	mm		CHEG:	SCALE SHEET REV.	
MATERILA	---		APPD:	1:1 1/3 C	
FINISH	---			GAP-ACF003-3R	

REV.	E/CN NO.	DESCRIPTION	DATE	DESIGN
B	---	UPDATE THE DRAWING	2019.11.19	SYU
C	---	UPDATE THE DRAWING	2020.01.13	SYU



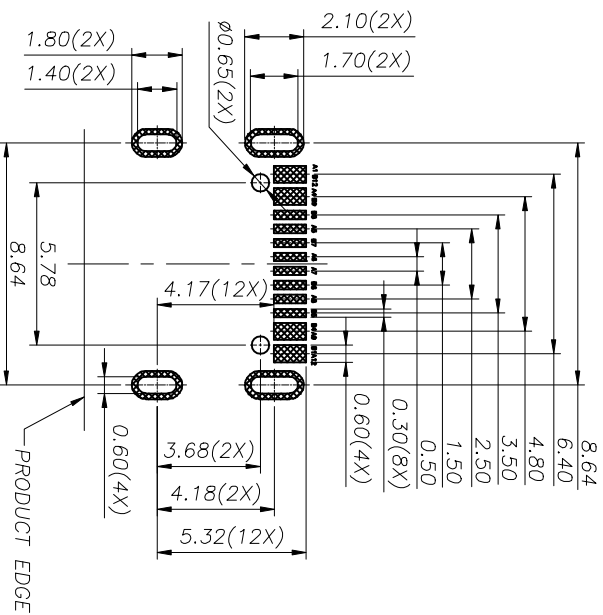
USB TYPE-C PIN ASSIGNMENTS

PIN NUMBER	SIGNAL NAME	PIN NUMBER	SIGNAL NAME
A1	GND	B12	GND
A4	VBUS	B9	VBUS
A5	CC1	B8	SBU2
A6	Dp1	B7	Dn2
A7	Dn1	B6	Dp2
A8	SBU1	B5	CC2
A9	VBUS	B4	VBUS
A12	GND	B1	GND

ORDER INFORMATION

P/N: ACF003-3AXH1X1XX-0HR

HOUSING COLOR	1: BLACK	2: WHITE
SHELL MATERIAL	H: SUS304	N: SK7
SHELL PLATING	1: Ni	
CONTACT FUNCTIONAL AREA PLATED	01: Au 1u"	03: Au 3u"
	15: Au 15u"	30: Au 30u"
CONTACT SOLDER AREA PLATED	1: Au 1u"	
CONTACT METRIAL	A: C1B14	



RECOMMENDED PCB LAYOUT(TOP VIEW)
THICKNESS 0.80MM;DEFAULT TOLERANCE:±0.05

TOLERANCE	NAME(INTENDED USE)	DRAWG NO.
X.X ±0.30	CUSTOMER DRAWING	GAP-ACF003-3R
.XX ±0.20	SEE TABLE1	SCALE 1:1
XXX ±0.10	DESIGN: SYU	SHEET 2/3
UNITS mm	CHEG:	REV. C
MATERILA	APPD:	
FINISH		

Goldconn
 Goldconn Technologies Co., Ltd
 TITLE: USB CF 16PIN (L=7.35)
 WITH POST