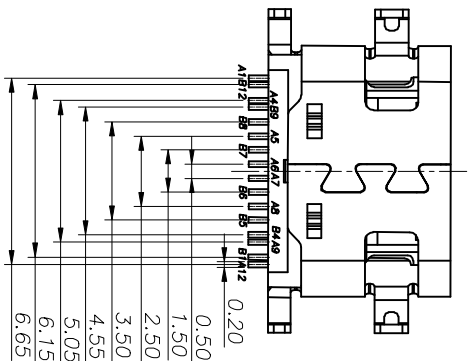
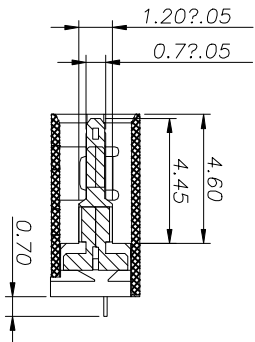
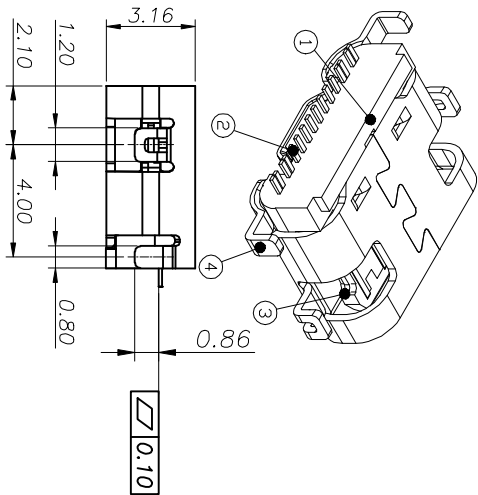
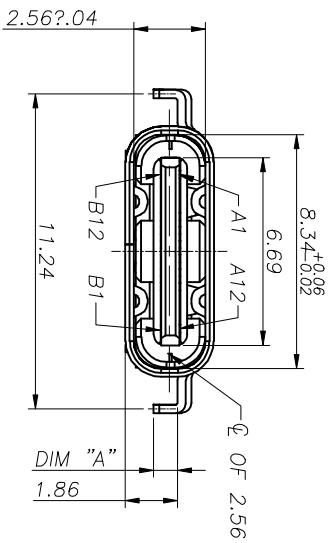
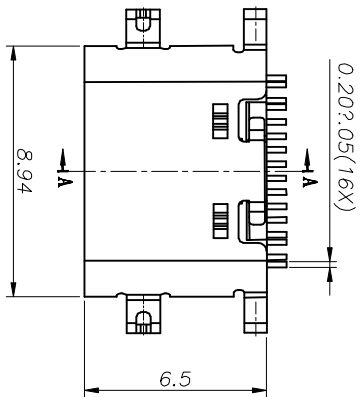
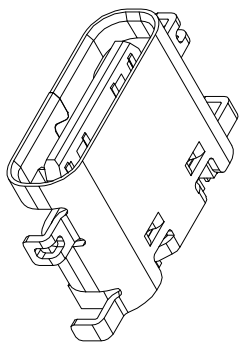


REV.	ECON NO.	DESCRIPTION	DATE	DESIGN
02	---	ADD P/N FOR SHELL TAIL=0.55	2017.08.05	Hank Pei
A	---	UPDATE THE DRAWING	2019.05.25	Yuxiaobin



- NOTE:
- 1.MATERIAL SPECIFICATION:
1.HOUSING:HIGH TEMPERATURE RESISTANT PLASTIC,UL94 V-0.
2.CONTACTS: COPPER ALLOY
3.MID PLATE: STAINLESS STEEL
4.FRONT SHELL: STAINLESS STEEL
 - 2.PLATING SPECIFICATION:
2-1.CONTACTS:
Ni 50u" MIN. UNDER PLATED OVER ALL.
Au PLATED ON THE FUNCTIONAL AREA OF CONTACT.
(GOLD PLATING THICKNESS FOLLOW THE P/N)
PLATING SPECIFICATIONS OF THE SOLDER AREA FOLLOW THE P/N
 - 2-2.FRONT SHELL:
Ni 30u" MIN. UNDER PLATED OVER ALL.
 - 2-3.MID PLATE:
CLEAR ONLY
 - 3.MECHANICAL PERFORMANCE,
3-1.INSERTION FORCE: 0.5~2.0kgf.
3-2.REMOVAL FORCE: 0.8kgf~2.0kgf.
3-3.DURABILITY: 10000 CYCLES.
 - 4.ELECTRICAL PERFORMANCE,
4-1. CURRENT RATING:3.0A
VOLTAGE RATING:5.0V
4-2. VBUS & GND PINS AND OTHER PINS: 40mΩ/PIN MAX.
SHIELD: 50mΩ/MAX.
LCR MAX. CHANGE OF ALL PINS: 10mΩ.
4-3.INSULATION RESISTANCE: 100MΩ MIN
4-4.DIELECTRIC WITHSTAND VOLTAGE:AC 100V FOR 1 MINUTE.
 5. ENVIRONMENTAL PERFORMANCE:
OPERATING TEMPERATURE: -25°C~+85°C.
6.IR REFLOW:
THE PEAK TEMPERATURE ON THE BOARD SHALL BE MAINTAINED FOR 10 SECONDS AT 260°C.

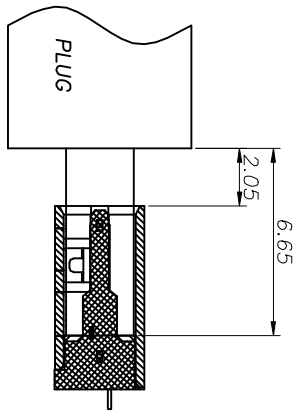
TOLERANCE		NAME(INTENDED USE) CUSTOMER DRAWING		DRAWG NO.	
X.X	±0.30	X'	±10'	GAP-ACF002-5R	
.XX	±0.20	X'	± 8'	SCALE SHEET REV.	
.XXX	±0.10	.XX'	± 5'	1:1 1/3 A	
UNITS	mm	DESIGN:	Yuxiaobin	MID MOUNT 1.86	
MATERILA	---	CHED:		TITLE: USB CF 16PIN (L=6.5)	
FINISH	---	APPD:		PART NO. SEE TABLE1	



L 6 5 4 3 2 1

A B C D E

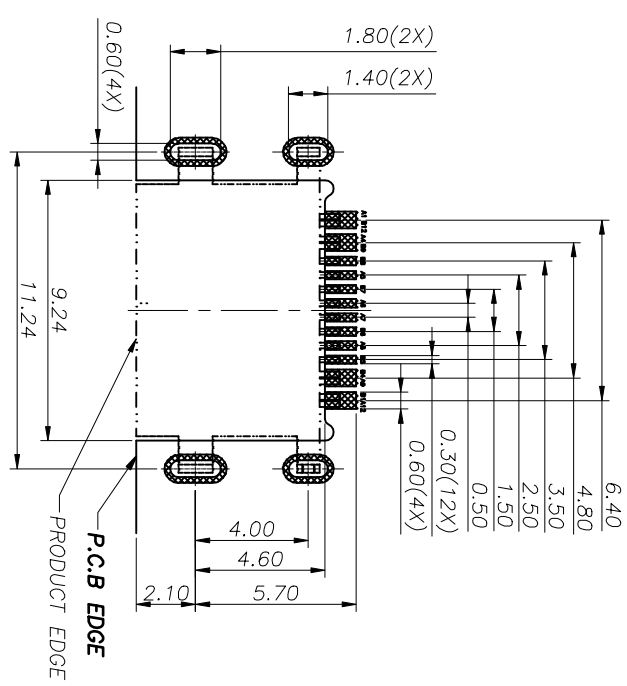
REV.	ECN NO.	DESCRIPTION	DATE	DESIGN
02	----	ADD P/N FOR SHELL TAIL=0.55	2017.08.05	Hank Pei
A	----	UPDATE THE DRAWING	2019.05.25	Yuxiaobin



AFTER MATING

USB TYPE-C PIN ASSIGNMENTS

PIN NUMBER	SIGNAL NAME	PIN NUMBER	SIGNAL NAME
A1	GND	B12	GND
A4	VBUS	B9	VBUS
A5	CC1	B8	SBUS2
A6	Dp1	B7	Dn2
A7	Dn1	B6	Dp2
A8	SBU1	B5	CC2
A9	VBUS	B4	VBUS
A12	GND	B1	GND



RECOMMENDED PCB LAYOUT(TOP VIEW)
THICKNESS 0.80MM;DEFAULT TOLERANCE:±0.05

TABLE 1

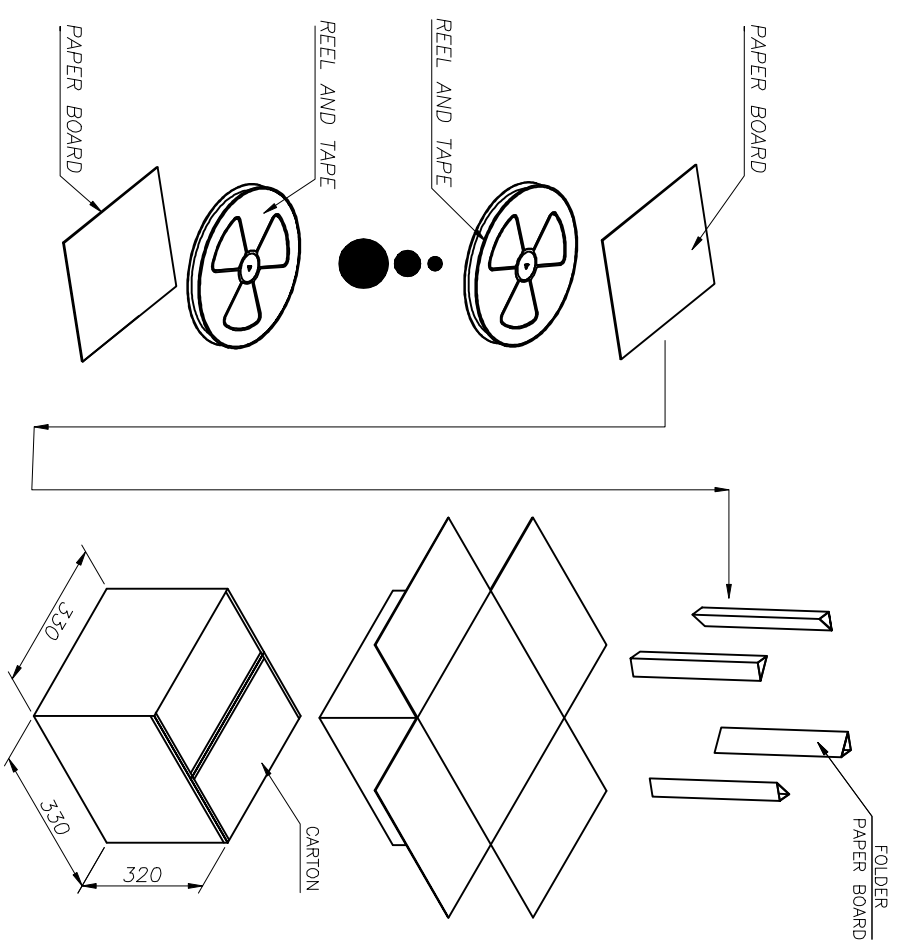
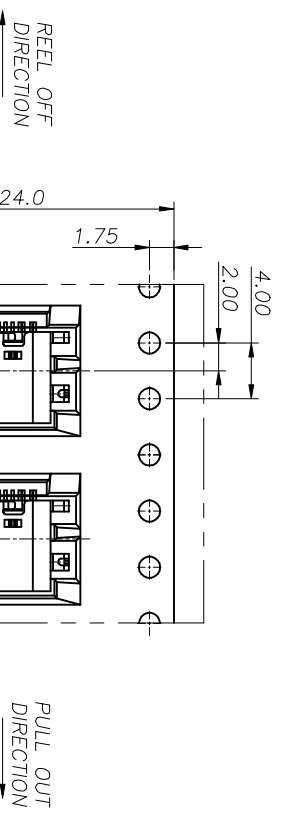
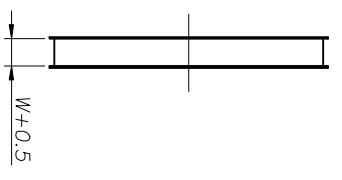
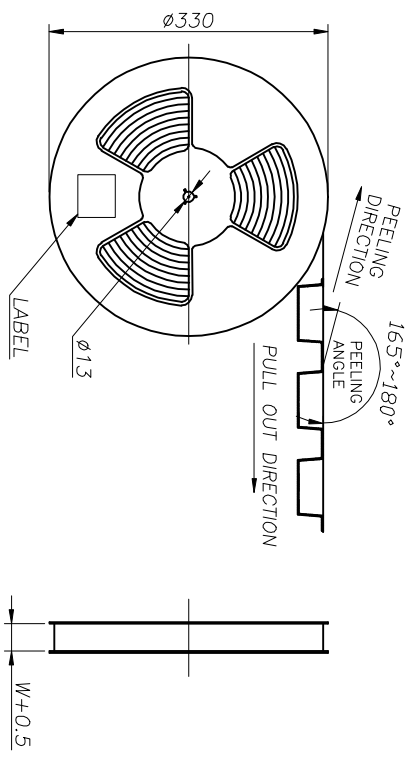
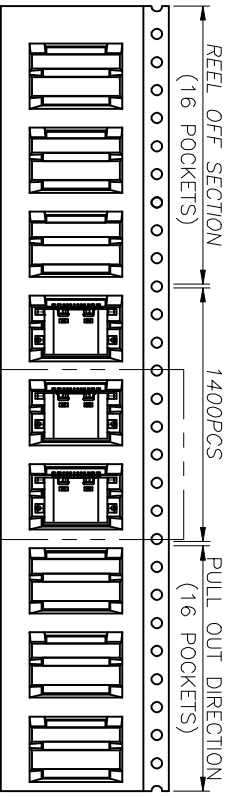
ITEM	P/N	HOUSING COLOR	FUNCTIONAL AREA	SOLDER AREA	DIM "A"
1	ACF002-5A1H1A103-OHR	BLACK	Au:3u"	Au:G/F	0.85
2	ACF002-5A1H1A103-1HR	BLACK	Au:3u"	Au:G/F	0.55

TOLERANCE	NAME(INTENDED USE) CUSTOMER DRAWING	TITLE: MID MOUNT 1.86
XX ±0.30 X ±10°	PART NO. SEE TABLE1	USB CF 16PIN (L=6.5)
.XX ±0.20 .X ± 8°	DESIGN: Yuxiaobin	DRAWG NO. GAP-ACF002-SR
.XXX ±0.10 .XX ± 5°	CHEG:	SCALE SHEET REV.
UNITS mm	APPD:	1:1 2/3 A
MATERILA		
FINISH		



6 5 4 3 2 1

REV.	E.CN NO.	DESCRIPTION	DATE	DESIGN
02	----	ADD P/N FOR SHELL TAIL=0.55	2017.08.05	Hank Pei
A	----	UPDATE THE DRAWING	2019.05.25	Yuxiaobin



CONNECTOR (PCS)	REEL	CARTON
1400	1400	14000

TOLERANCE		NAME (INTENDED USE)		DRAWG NO. GAP-ACF002-5R
X.X ±0.30	X.' ±10'	PART NO. SEE TABLE1		
.XX ±0.20	.X' ±8'	TITLE: USB CF 16PIN (L=6.5) MID MOUNT 1.86		
XXX ±0.10	.XX' ±5'	DESIGN: Yuxiaobin		
UNITS mm		CHED:		
MATERILA		APPD:		
FINISH				



SCALE	SHEET	REV.
1:1	3/3	A