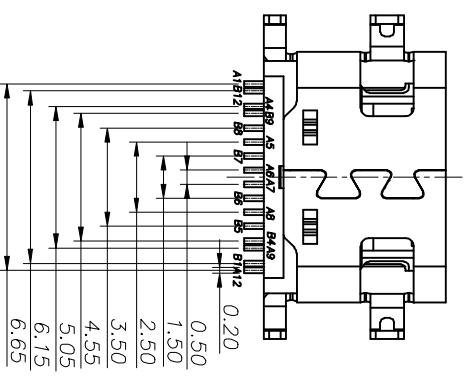
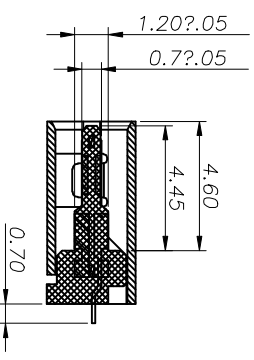
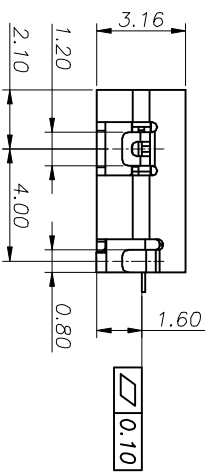
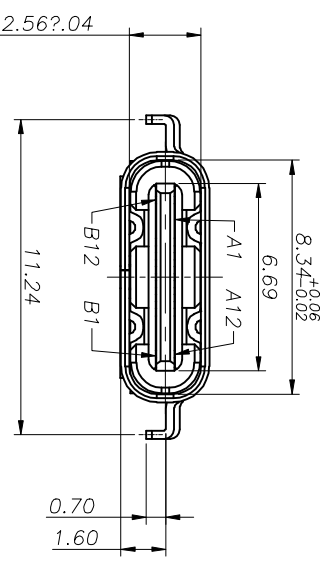
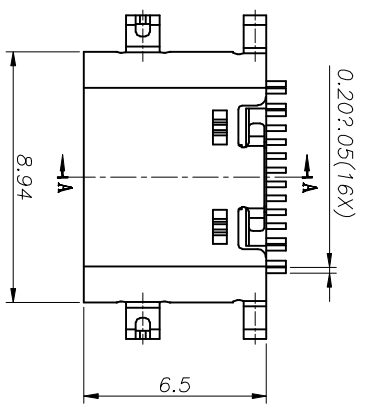
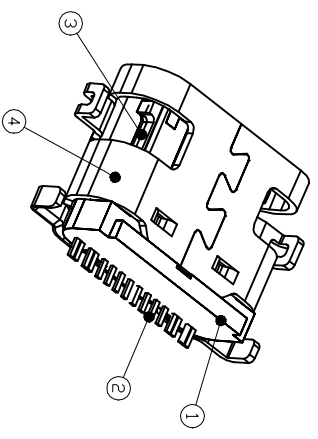


REV.	ECON NO.	DESCRIPTION	DATE	DESIGN
B	---	ADD P/N	2018.7.27	JUL
C	---	UPDATE THE DRAWING	2019.05.24	Yuxiaobin



- NOTE:
- MATERIAL SPECIFICATION:
 - HOUSING:HIGH TEMPERATURE RESISTANT PLASTIC,U194 V-0.
 - CONTACTS: COPPER ALLOY
 - MID PLATE: STAINLESS STEEL
 - FRONT SHELL: STAINLESS STEEL
 - PLATING SPECIFICATION:
 - CONTACTS: Ni 50u" MIN. UNDER PLATED OVER ALL. Au PLATED ON THE FUNCTIONAL AREA OF CONTACT. (GOLD PLATING THICKNESS FOLLOW THE P/N) PLATING SPECIFICATIONS OF THE SOLDER AREA FOLLOW THE P/N
 - FRONT SHELL: Ni 30u" MIN. UNDER PLATED OVER ALL. CLEAR ONLY
 - MID PLATE: CLEAR ONLY
 - MECHANICAL PERFORMANCE,
 - INSERTION FORCE: 0.5~2.0kgf.
 - REMOVAL FORCE: 0.8kgf~2.0kgf.
 - DURABILITY: 10000 CYCLES.
 - ELECTRICAL PERFORMANCE,
 - CURRENT RATING:3.0A VOLTAGE RATING:5.0V
 - LCCR: VBUS & GND PINS AND OTHER PINS: 40mΩ/PIN MAX. SHIELD: 50mΩ/MAX. LCCR MAX. CHANGE OF ALL PINS: 10mΩ.
 - INSULATION RESISTANCE: 100MΩ MIN
 - DIELECTRIC WITHSTAND VOLTAGE:AC 100V FOR 1 MINUTE.
 - ENVIRONMENTAL PERFORMANCE:
 - OPERATING TEMPERATURE: -25#~+85#.
 - IR REFLOW: THE PEAK TEMPERATURE ON THE BOARD SHALL BE MAINTAINED FOR 10 SECONDS AT 260°C.

TOLERANCE	NAME(INTENDED USE)	CUSTOMER DRAWING
X.X ±0.30	X' ±10'	PART NO.
.XX ±0.20	X' ±8'	SEE TABLE1
XXX ±0.10	.XX ±5'	DESIGN: Yuxiaobin
UNITS	mm	CHEG:
MATERILA	---	APPD:
FINISH	---	

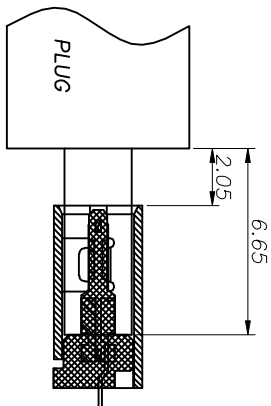
TITLE: USB CF 16PIN (L=6.5)
MID MOUNT 1.6MM



SCALE	SHEET	REV.
1:1	1/3	C

6 5 4 3 2 1

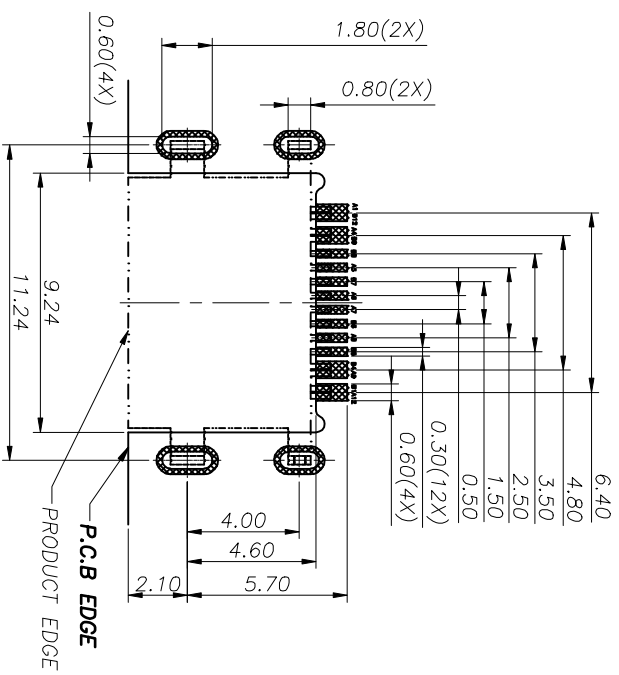
REV.	E.CN NO.	DESCRIPTION	DATE	DESIGN
B	---	ADD P/N	2018.7.27	JUL
C	---	UPDATE THE DRAWING	2019.05.24	Yuxiaobin



AFTER MATING

USB TYPE-C PIN ASSIGNMENTS

PIN NUMBER	SIGNAL NAME	PIN NUMBER	SIGNAL NAME
A1	GND	B12	GND
A4	VBUS	B9	VBUS
A5	CC1	B8	SBU2
A6	Dp1	B7	Dn2
A7	Dn1	B6	Dp2
A8	SBU1	B5	CC2
A9	VBUS	B4	VBUS
A12	GND	B1	GND



RECOMMENDED PCB LAYOUT(TOP VIEW)
THICKNESS 0.80MM;DEFAULT TOLERANCE:±0.05

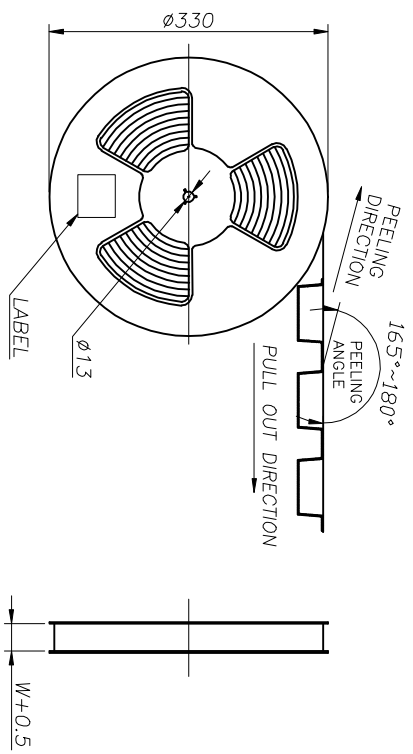
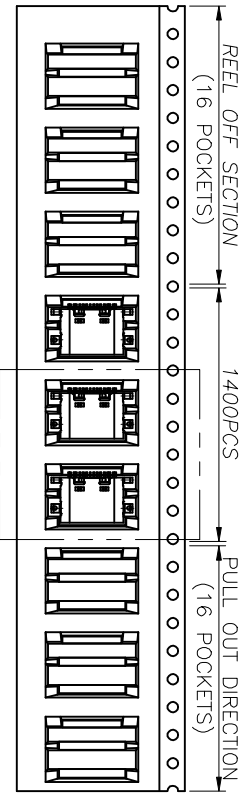
TABLE 1

ITEM	P/N	HOUSING	CONTACTS	
			FUNCTIONAL AREA	SOLDER AREA
1	ACF002-3A1H1A103-0HR	LCP_BLACK	Au:3u"	Au:G/F
2	ACF002-3E1H1A103-0HR	PA10T_BLACK	Au:3u"	Au:G/F

TOLERANCE	NAME(INTENDED USE) CUSTOMER DRAWING	TITLE: USB CF 16PIN (L=6.5) MID MOUNT CH=-0.02
X.X ±0.30 X' ±10'	PART NO. SEE TABLE1	DRAWG NO. MID MOUNT 1.6MM
.XX ±0.20 X' ± 8'	DESIGN: Yuxiaobin	SCALE SHEET REV.
XXX ±0.10 .XX ± 5'	CHED:	1:1 2/3 C
UNITS mm	APPD:	
MATERILA		
FINISH		

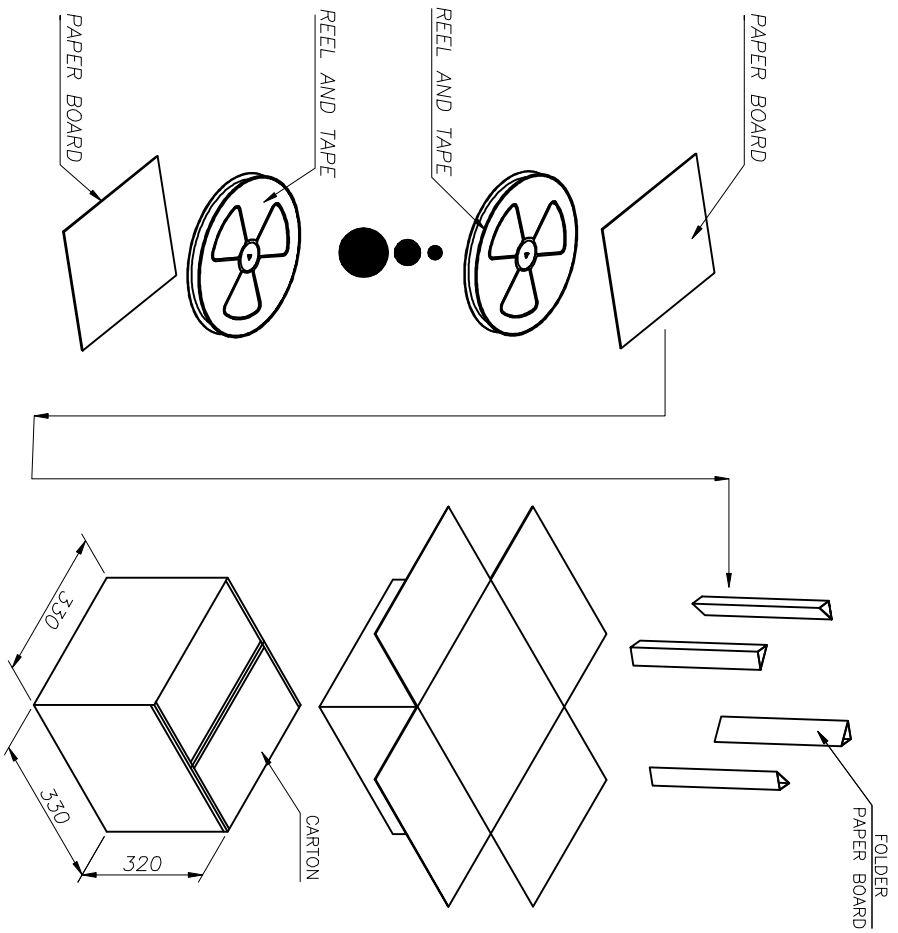
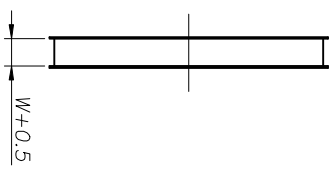
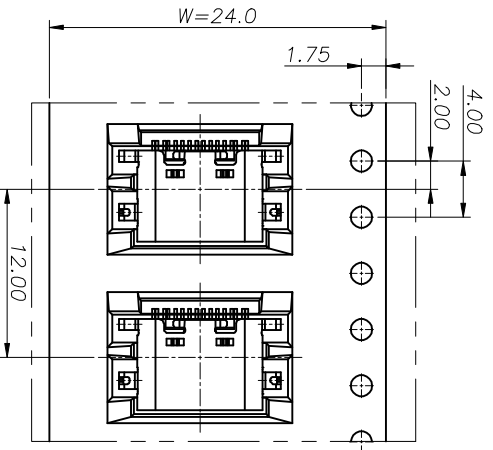


REV. ECN NO.	DESCRIPTION	DATE	DESIGN
B	ADD P/N	2018.7.27	JUL
C	UPDATE THE DRAWING	2019.05.24	Yuxiaobin



REEL OFF DIRECTION

PULL OUT DIRECTION



CONNECTOR (PCS)	REEL	CARTON
1400	1400	14000

TOLERANCE	NAME (INTENDED USE)	TITLE
X.X ±0.30 X' ±10'	PART NO.	USB CF 16PIN (L=6.5)
.XX ±0.20 X' ±8'	CUSTOMER DRAWING	MID MOUNT 1.6MM
XXX ±0.10 XX ±5'	SEE TABLE1	
UNITS mm	DESIGN: Yuxiaobin	
MATERILA	CHED:	DRAWG NO. GAP-ACF002-3R
FINISH	APPD:	SCALE SHEET REV. 1:1 3/3 C

Goldconn

A 6 5 4 3 2 1