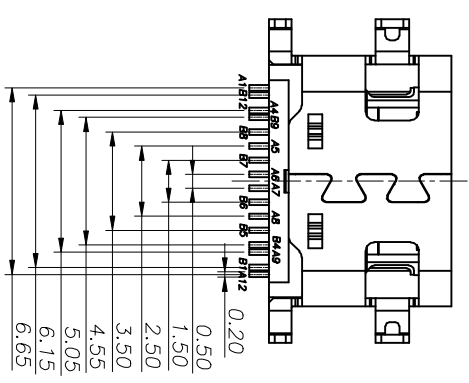
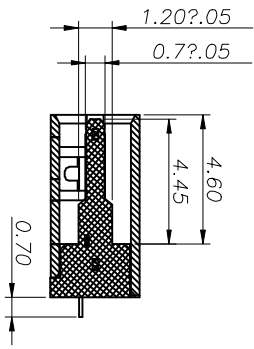
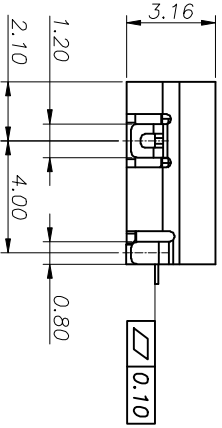
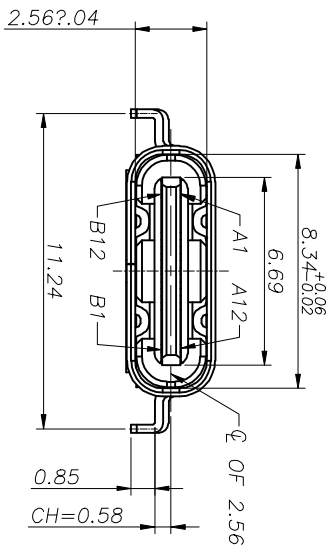
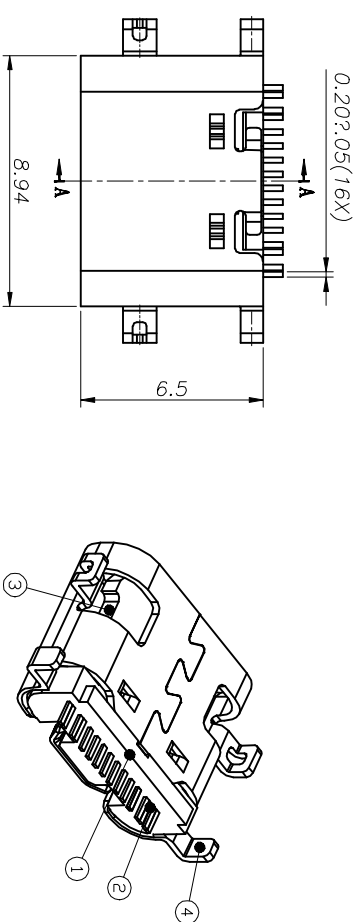


REV.	ECON NO.	DESCRIPTION	DATE	DESIGN
01	---	INITIAL RELEASED	2017.05.10	Hank Pei
A	---	OFFICIAL RELEASE	2019.04.18	Hank Pei

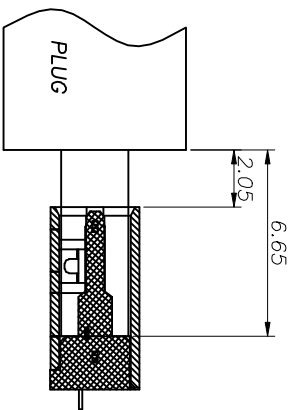


- NOTE:
- MATERIAL SPECIFICATION:
 - HOUSING: HIGH TEMPERATURE RESISTANT PLASTIC, UL94 V-0.
 - CONTACTS: COPPER ALLOY
 - MID PLATE: STAINLESS STEEL
 - FRONT SHELL: STAINLESS STEEL
 - PLATING SPECIFICATION:
 - CONTACTS:
 - 50μ" MIN. UNDER PLATED OVER ALL.
 - FRONT SHELL:
 - 50μ" MIN. UNDER PLATED OVER ALL.
 - MECHANICAL PERFORMANCE,
 - INSERTION FORCE: 0.5~2.0kgf.
 - REMOVAL FORCE: 0.8kgf~2.0kgf.
 - DURABILITY: 10000 CYCLES.
 - ELECTRICAL PERFORMANCE,
 - CURRENT RATING: 5.0A
 - VOLTAGE RATING: 5.0V
 - LCR:
 - VBUS & GND PINS AND OTHER PINS: 40mΩ/PIN MAX. SHIELD: 50mΩ/MAX.
 - CHANGE OF ALL PINS: 10mΩ.
 - INSULATION RESISTANCE: 100MΩ MIN
 - DIELECTRIC WITHSTAND VOLTAGE: AC 100V FOR 1 MINUTE.
 - ENVIRONMENTAL PERFORMANCE:
 - OPERATING TEMPERATURE: -25#~+85#.
 - IR REFLOW:
 - THE PEAK TEMPERATURE ON THE BOARD SHALL BE MAINTAINED FOR 10 SECONDS AT 260°C.

TOLERANCE	NAME (INTENDED USE)	CUSTOMER DRAWING	TITLE	DRAWG NO.	SCALE	SHEET	REV.
X.X ±0.30	X.X ±10'	PART NO.	SEE TABLE1	USB CF 16PIN (L=6.5)	1:1	1/3	A
XX ±0.20	X.X ± 8'	DESIGN: Hank Pei	MID MOUNT CH=0.58	GAP-ACF002-2R	1:1	1/3	A
XXX ±0.10	.XX ± 5'	CHD:					
UNITS	mm	APPD:					
MATERILA	---						
FINISH	---						

Goldconn

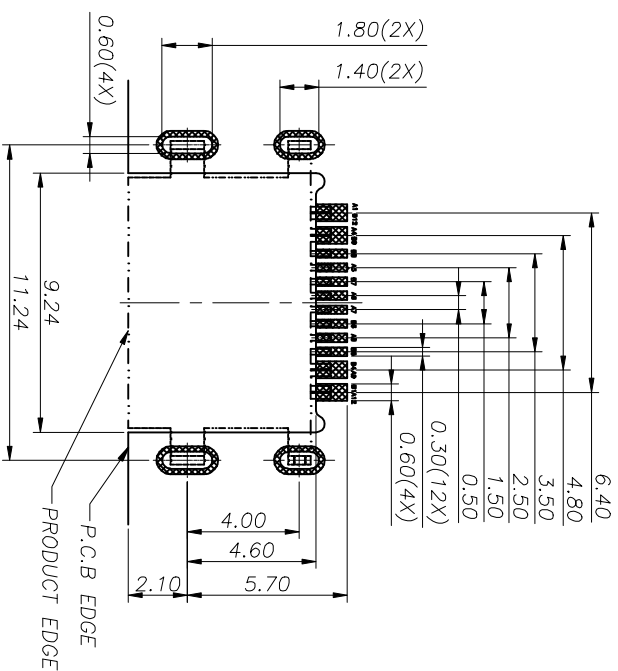
REV.	ECN NO.	DESCRIPTION	DATE	DESIGN
01	----	INITIAL RELEASED	2017.05.10	Hank Pei
A	----	OFFICIAL RELEASE	2019.04.18	Hank Pei



AFTER MATING

USB TYPE-C PIN ASSIGNMENTS

PIN NUMBER	SIGNAL NAME	PIN NUMBER	SIGNAL NAME
A1	GND	B12	GND
A4	VBUS	B9	VBUS
A5	CC1	B8	SBU2
A6	Dp1	B7	Dn2
A7	Dn1	B6	Dp2
A8	SBU1	B5	CC2
A9	VBUS	B4	VBUS
A12	GND	B1	GND



RECOMMENDED PCB LAYOUT(TOP VIEW)
THICKNESS: 0.80MM;DEFAULT TOLERANCE:±0.05

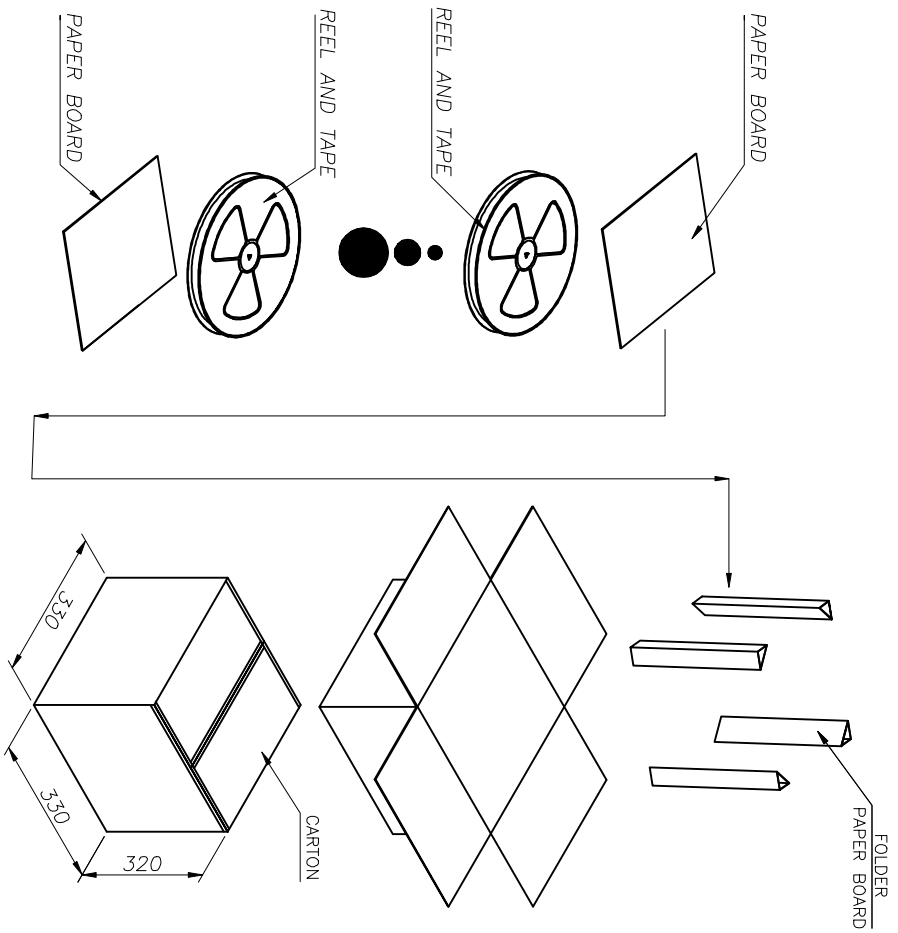
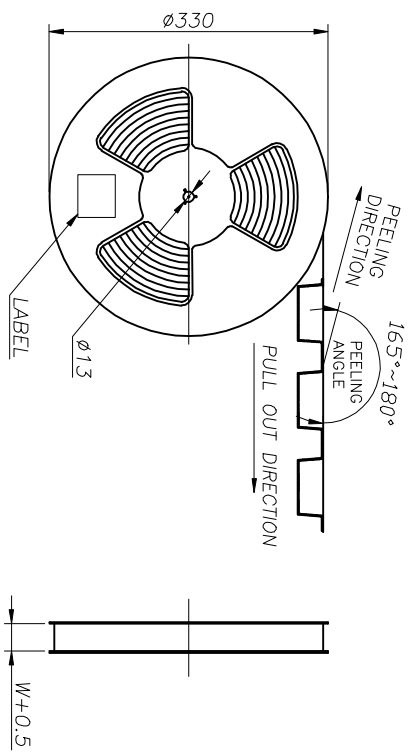
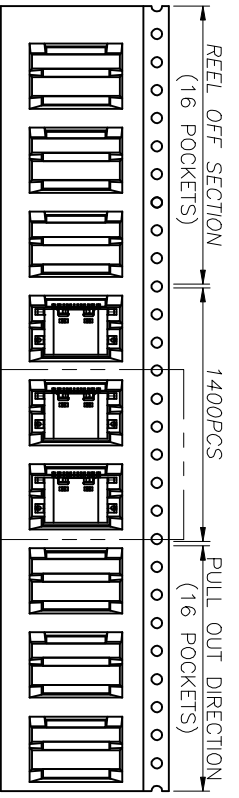
TABLE 1

ITEM	P/N	HOUSING COLOR	FUNCTIONAL AREA	SOLDER AREA
1	ACF002-2A1H1A103-0HR	BLACK	Au:3u"	Au:G/F

TOLERANCE	NAME(INTENDED USE) CUSTOMER DRAWING	TITLE: USB CF 16PIN (L=6.5) MID MOUNT CH=0.58
X.X ±0.30 .XX ±0.20 XXX ±0.10 UNITS mm	X' ±10' X' ±8' XX' ±5' mm	DRAWG NO. GAP-ACF002-2R
MATERILA	DESIGN: Hank Pei	SCALE 1:1
FINISH	APPD:	SHEET 2/3
		REV. A



REV.	E.CN NO.	DESCRIPTION	DATE	DESIGN
01	---	INITIAL RELEASED	2017.05.10	Hank Pei
A	---	OFFICIAL RELEASE	2019.04.18	Hank Pei



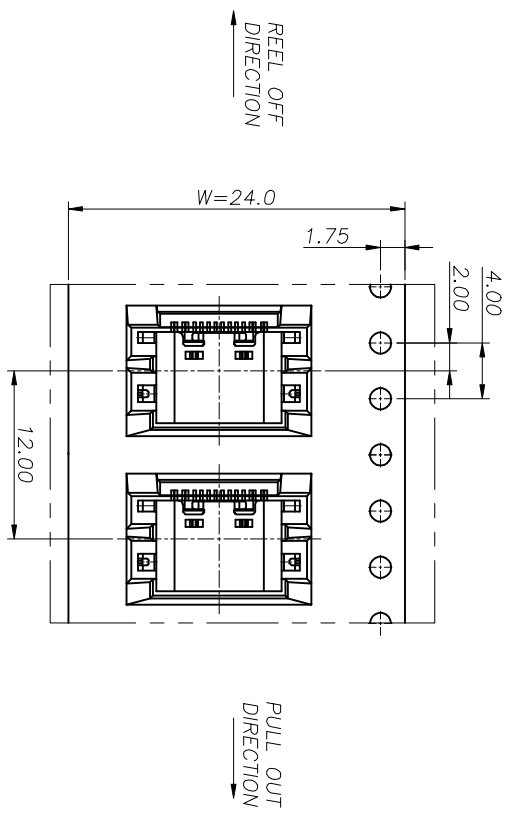
CONNECTOR (PCS)	REEL	CARTON
1400	1400	14000

Goldconn

TITLE: USB CF 16PIN (L=6.5)
MID MOUNT CH=0.58

DRAWG NO. GAP-ACF002-2R

SCALE SHEET REV. 1:1 3/3 A



TOLERANCE	NAME (INTENDED USE)	PART NO.	TITLE
X.X ±0.30	CUSTOMER DRAWING	SEE TABLE1	USB CF 16PIN (L=6.5) MID MOUNT CH=0.58
.XX ±0.20			
XXX ±0.10	DESIGN: Hank Pei		
UNITS mm	CHED:		
MATERILA	APPD:		
FINISH			